



BS-411

BS-411

Series

Compact and Cost-effective

2D/1D Presentation Type

An Unrivalled Convenient Counter 2D/1D Scanner You Can Count on



1. Viewing angle adjustable

With inspiring design, incomparable feeling of contemporary modern and operation flexibility, BS-411 support the viewing angle adjustable with very small foot print base.

2. Performance Driven

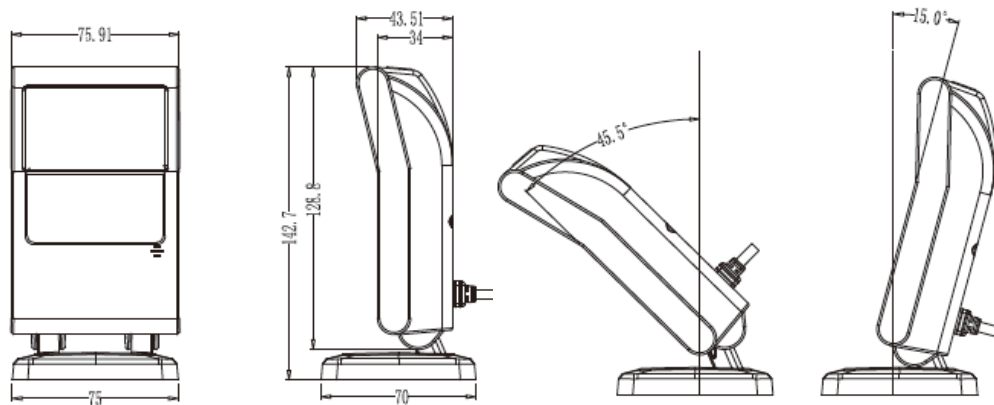
BS-411 built-in the versatile decoder and excellent optical module, which support most of the 1D barcode and popular 2D barcode includes the lots of postcodes. It is the excellent scanner for counter scanning applications.

3. Interface support

BS-411 supports interface cable changeable on RS232 and USB interface. The USB cable supports USB(HID) and USB(Virtual COM)

4. To grow your business

The demands for 2D barcode application grow rapidly everywhere , which includes the Kiosk, self service and mobile market. The BS-4111 is the right scanner to grow your business and solve your business challenges.



Ordering Information:

- BS-411BU: 2D/1D counter scanner with USB cable(HID+ Virtual COM), Black
- BS-411BR: 2D/1D counter scanner with RS232 cable.

Technical Specifications

General	
Interface	HID USB / USB COM / RS-232
Barcodes supported (1D)	UPC/EAN/(UPCA/UPCE/UPCE1/EAN-8/EAN-13/JAN-8/JAN-13 plus supplemental, ISBN, ISSN, Coupon Code), Code 39, Code 39 Full ASCII, Trioptic, Code 32 (Italian Pharmacode), Code 128, (Standard, Full ASCII, UCC/EAN-128, ISBT-128 Concatenated), Code 93, Codeabar/ NW7, Interleaved 2 of 5, Discrete 2 of 5, IATA, Chinese 2 of 5, Matrix 2 of 5, Code 11), MSI Plessey, GS1DataBar, (Omnidirectional, Truncated, Stacked, Stacked Omnidirectional, Limited, Expanded, Expanded Stacked)
PDF417 (and variants)	PDF417 (Standard, Macro), MicroPDF417 (Standard, Macro), Composite Codes (CC-A, CC-B, CC-C)
Barcodes supported (2D)	PDF 417, MicroPDF 417, MaxiCode, Data Matrix, Data Matrix Inverse, QR Code, QR Inverse, MicroQR Code, Aztec Code, Aztec Inverse, Postal Code
Postal	U.S. Posnet and Planet, U.K. Post, Japan Post, Australian Post, Netherlands KIX Code, Royal Mail 4 State Customer, UPU FICS 4 State Postal, USPS 4CB
Optical	
Optical System	752 H x 480 V pixels
Light Source	Aiming pattern: single dot, 625nm LED Illumination: 630nm LEDs
Resolution	4 mil (CODE 39), 7.5 mil (Data Matrix), 5 mil (PDF417)
Focusing Distance	Up to 267mm
Field of View	Horizontal: 46.1°; Vertical: 30.4°
Indicator	Beeper and LED
Electrical	
Voltage	DC 5V
Scanning Currents	< 280 mA
Environment	
Operating temperature	0°C to 40°C (32°F to 104°F)
Storage temperature	-20°C to 60°C / -4°F to 140°F
Relative Humidity	5% - 95% RH (non-condensing)
Drop	1.5m drops
Physical	
Weight	374g w/cable

Nominal Working Range	
CODE 39	4mil 0 ~ 10cm
EAN13	10mil 0 ~ 21cm
EAN13	13mil 0 ~ 25cm
PDF417	10mil 0 ~ 18cm
Data Matrix	10mil 0 ~ 6cm
QR Code	10mil 2 ~ 6cm
Resolution: 4 mil Performance may be impacted by bar code quality and environmental conditions	



Birch is a trademark of Birch Technology U.S.A. Inc
All other products, brands or companies are trademarks or registered trademarks of their respective companies.

Specifications are subject to change without prior notice

Contact us for details